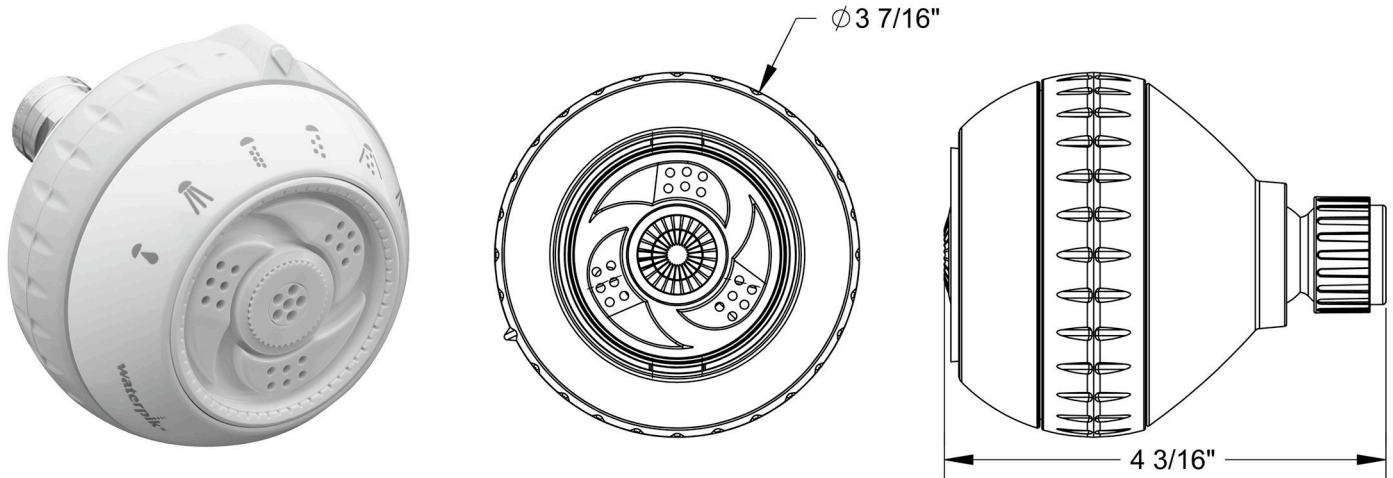


Specifications for Model: SM-621H



Unit Specifications

- Fixed-mount model
- Finish: White with gray trim
- 6 Settings: Full-Body Spray, Center Spray, Pulse, Turbo-Pulse, Pause, Combo: Full-Body/Pulse
- Maximum flow rate 2.5 GPM at 80 PSI to meet ANSI A112.18.1M standard
- Chrome plated theft resistant metal pivot ball. Requires the WP-10 wrench for installation and removal. 1 wrench provided with each case. Additional wrenches available.
- Standard 1/2" NPSM inlet connection

Waterpik Technologies
1730 East Prospect Rd.
Fort Collins, CO 80553
Customer Service: 1-800-766-4283
Fax: 1-970-221-7049